

38-7.7- - - -EV4

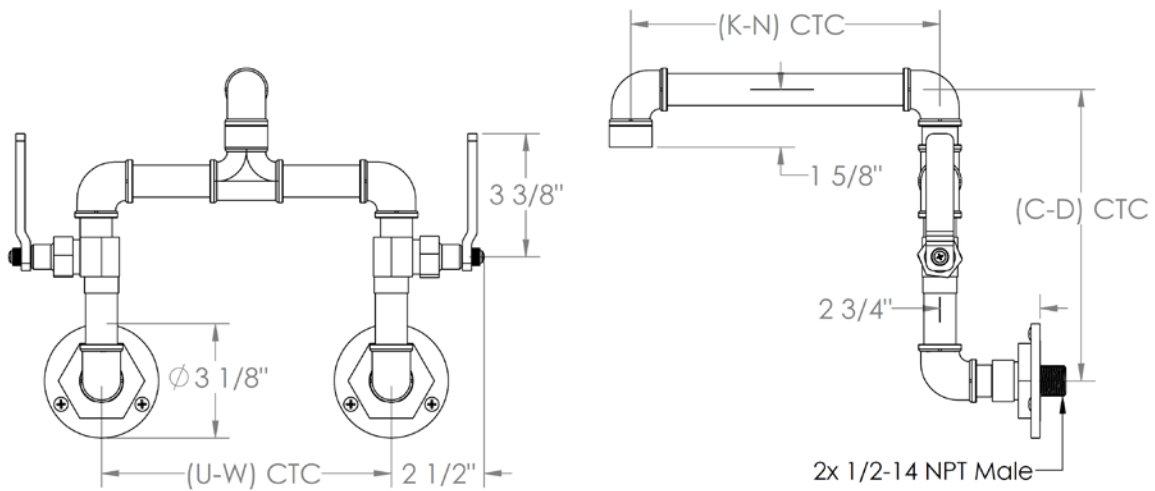
Wall Mounted Bridge Kitchen Faucet

Flow Rate: 1.75 GPM

Note: Please specify (C-D, K-N, U-W)



HEIGHT	PROJECTION	MOUNT SPREAD
-----	K = 5.5"	U = 8"
-----	L = 6.5"	V = 12"
C = 8"	M = 7.5"	W = 18"
D = 10"	N = 8.5"	-----



Meets the applicable requirements of ASME A112.18.1-2005/CSA B125.1-05, entitled "Plumbing Supply Fittings"

WATERMARK DESIGNS 7/12/2018

350 Dewitt Ave Brooklyn NY 11207 USA T 718 257 2800 F 718 257 2144 info@watermark-designs.com